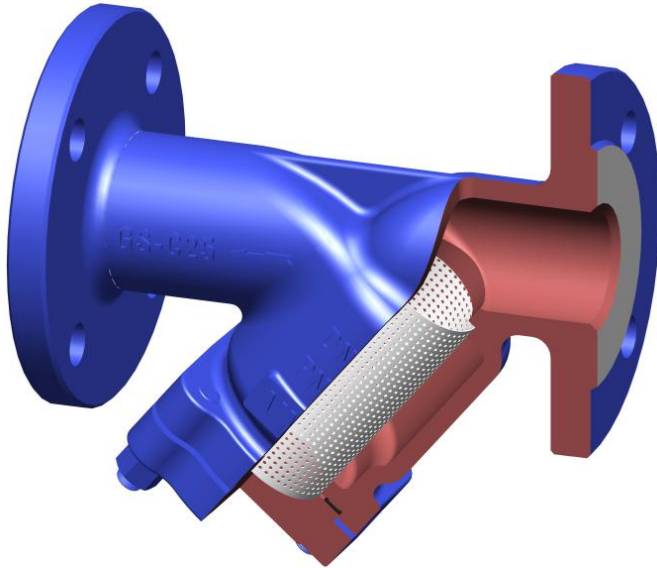


# Y TYPE STRAINER



Body material	Nominal pressure	Nominal diameter	Max temperature
GS-C25 (1.0619)	16 bar 25 bar 40 bar	DN 15-400	400°C
CF8 (1.4308)	16 bar 25 bar 40 bar	DN 15-400	350°C
CF8M (1.4408)	16 bar 25 bar 40 bar	DN 15-400	350°C

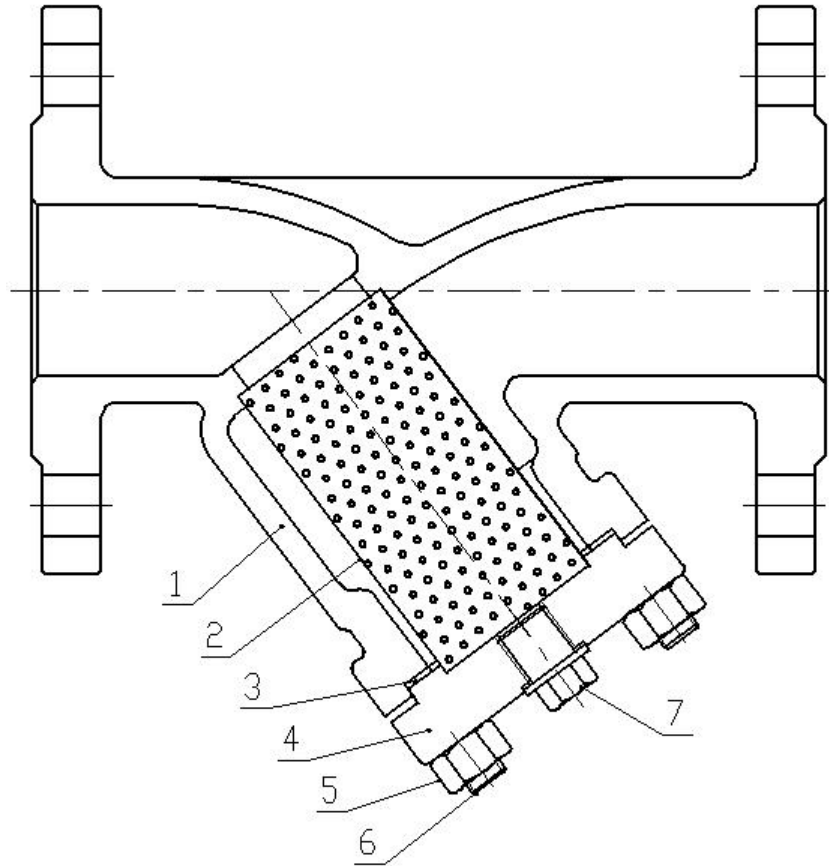
## FEATURES

- Compact settlement
- Environment-friendly
- Test acc.EN-12266-1
- Flanges drilled according to EN-1092-1
- Face-to-face dimension according to EN 588-1

## APPLICATION

- Steam System
- Thermal Oil System
- Hot and cold water

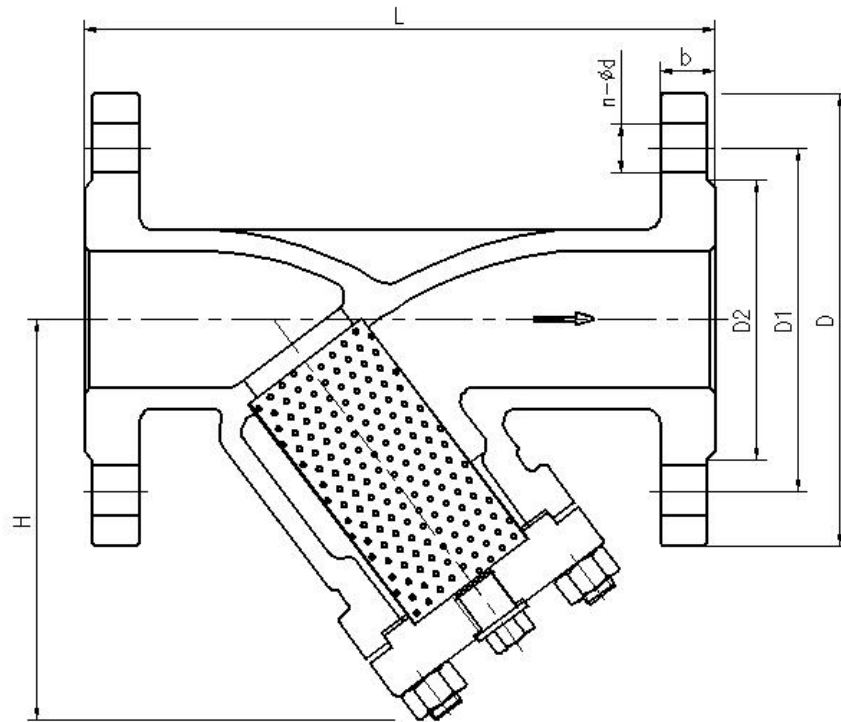
## MATERIALS



## MATERIALS

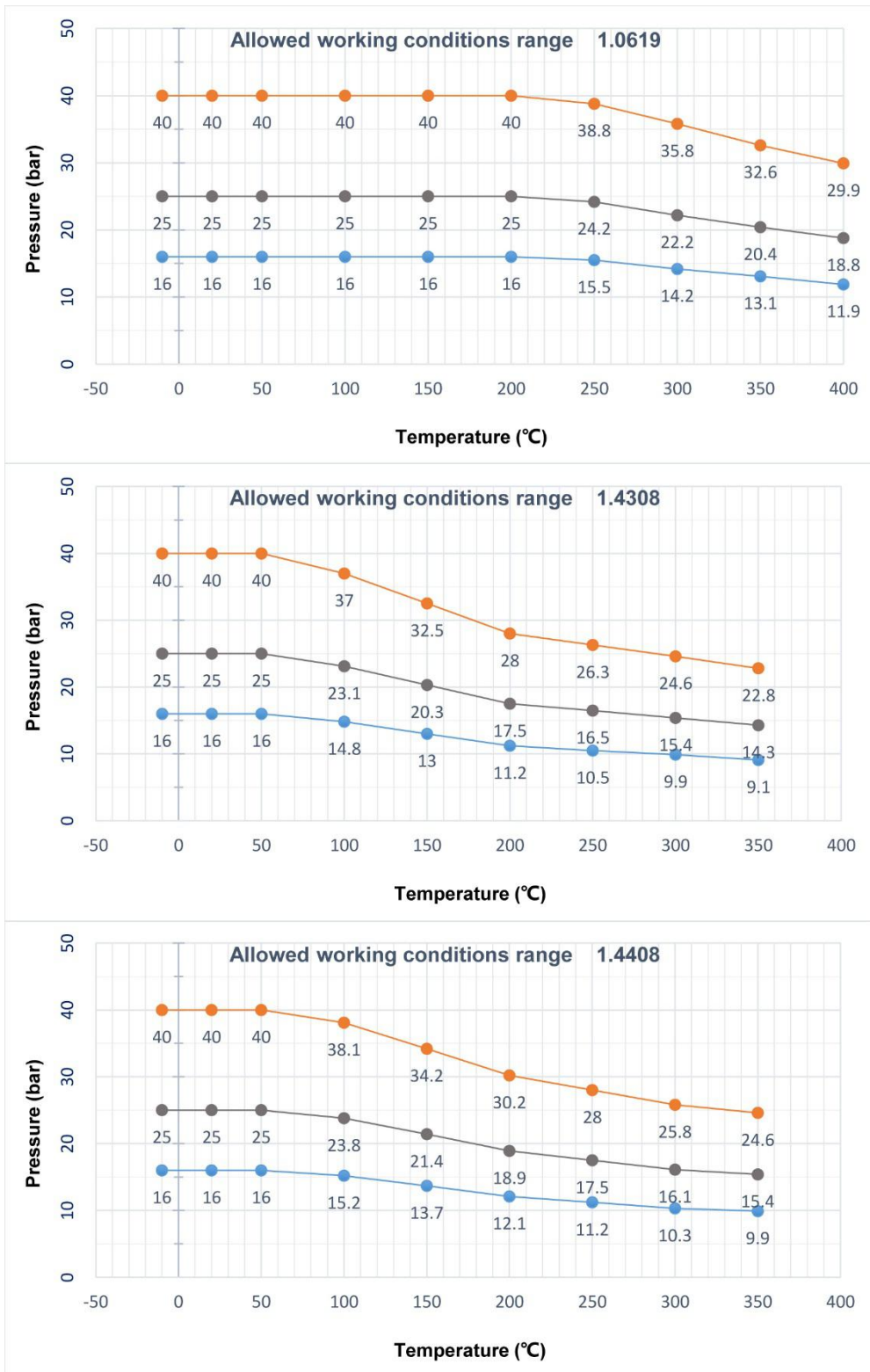
No.	Part Name	Part Material		
1	Body	GS-C25/ 1.0619	CF8/ 1.4308	CF8M/ 1.4408
2	Filter	SS304	SS316L	SS316L
3	Gasket	Graphite+SS304	Graphite+SS304	Graphite+SS316
4	Bonnet	GS-C25/ 1.0619	CF8/ 1.4308	CF8M/ 1.4408
5	Nut	A194-2H	A194-8	A194-8M
6	Bolt	A193-B7	A193-B8	A193-B8M
7	Emptying Screw	A105/ 1.0460	F304/ 1.4301	F316/ 1.4401
Max.temperature		400°C	350°C	350°C

## DIMENSIONS



DN	PN16,25,40		PN16					PN25					PN40					DN
	L	H	D	D1	D2	b	n-φd	D	D1	D2	b	n-φd	D	D1	D2	b	n-φd	
15	130	85	95	65	45	16	4-φ14	95	65	45	16	4-φ14	95	65	45	16	4-φ14	15
20	150	95	105	75	58	18	4-φ14	105	75	58	18	4-φ14	105	75	58	18	4-φ14	20
25	160	110	115	85	68	18	4-φ14	115	85	68	18	4-φ14	115	85	68	18	4-φ14	25
32	180	125	140	100	78	18	4-φ18	140	100	78	18	4-φ18	140	100	78	18	4-φ18	32
40	200	145	150	110	88	18	4-φ18	150	110	88	18	4-φ18	150	110	88	18	4-φ18	40
50	230	155	165	125	102	20	4-φ18	165	125	102	20	4-φ18	165	125	102	20	4-φ18	50
65	290	175	185	145	122	20	4-φ18	185	145	122	22	8-φ18	185	145	122	22	8-φ18	65
80	310	210	200	160	138	20	8-φ18	200	160	138	24	8-φ18	200	160	138	24	8-φ18	80
100	350	230	220	180	158	20	8-φ18	235	190	162	24	8-φ22	235	190	162	24	8-φ22	100
125	400	270	250	210	188	22	8-φ18	270	220	188	26	8-φ26	270	220	188	26	8-φ26	125
150	480	300	285	240	212	24	8-φ22	300	250	218	28	8-φ26	300	250	218	28	8-φ26	150
200	600	385	340	295	268	24	12-φ22	360	310	278	30	12-φ26	375	320	285	34	12-φ30	200
250	730	535	405	355	320	26	12-φ26	425	370	335	32	12-φ30	450	385	345	38	12-φ33	250
300	850	680	460	410	378	28	12-φ26	485	430	395	34	16-φ30	515	450	410	42	16-φ33	300

**PRESSURE-TEMPERATURE RATINGS**



## MORE FUNCTION OPTIONS

- Optional Emptying Screw
- Optional mesh hole diameter
- BW ends
- JIS connections
- ANSI connections