

BELLOWS SEALED VALVES SERIES

DIN STANDARD BELLOWS SEALED GLOBE VALVE(PLUS)



DIN STANDARD BELLOWS SEALED GLOBE VALVE(PLUS)

Product Advantage

- Conical disc design. Benefit from the cone and streamline shape design, the disc can remove the impurities, keep valve in reliable seal and longer service life.
- Double seal design(bellows+packing). Bellows design form a metal seal to prevent leakage, and packing can provide seal if the bellow failed.

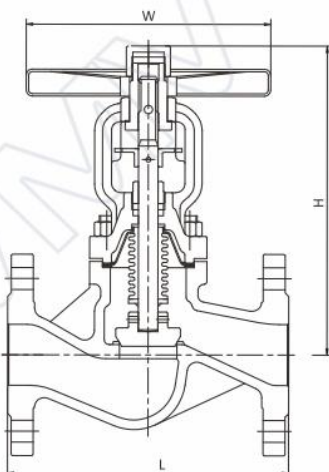
- Patented central locate design. It can protect stem from tremble and lower noise, so the bellow has stable performance and long service life.
- Coated sand casting technology. Sand mixed with binder and other additives makes the rough casting with less defects like pore, trachoma and cracks, and better tensile strength.

Specifications

- Design standard: EN12516
- Face to face dimension: EN558
- Flange ends: EN1092-1
- Test & inspection: EN12266

Application

- Thermal oil, Steam, Hot and cold water, Fatty acids, Ammonia, Natural gas, etc.



Data Dimension Table

DN	PN16			PN25			PN40		
	L	W	H≈	L	W	H≈	L	W	H≈
15	130	Φ140	192	130	Φ140	192	130	Φ140	192
20	150	Φ140	192	150	Φ140	192	150	Φ140	192
25	160	Φ160	207	160	Φ160	207	160	Φ160	207
32	180	Φ160	207	180	Φ160	207	180	Φ160	207
40	200	Φ180	234	200	Φ180	234	200	Φ180	234
50	230	Φ200	253	230	Φ200	253	230	Φ200	253
65	290	Φ220	305	290	Φ220	305	290	Φ220	305
80	310	Φ250	337	310	Φ250	337	310	Φ250	337
100	350	Φ300	391	350	Φ300	391	350	Φ300	391
125	400	Φ350	441	400	Φ350	441	400	Φ350	441
150	480	Φ400	497	480	Φ400	497	480	Φ400	497
200	600	Φ450	672	600	Φ450	672	600	Φ450	672
250	730	Φ550	775	730	Φ550	775	730	Φ550	775
300	850	Φ600	852	850	Φ600	852	850	Φ600	852
350	980	Φ700	1021	980	Φ700	1021	980	Φ700	1021
400	1100	Φ700	1140	1100	Φ700	1140	1100	Φ700	1140



ZHEJIANG NEWTON FLUID CONTROL CO.,LTD.

Headquarters (Wenzhou)

Zhiyi road, Lingxia industrial zone, Wuniu, Wenzhou,
Zhejiang, China.

Tel: 86-577-67978269

Fax: 86-577-67376711

E-mail: vmv@vmv-valve.com

Shanghai R&D Center

Jiading District, Shanghai
Building 12A, No. 1818 Chengbei Road

Tel: 86-18057752663

E-mail: vmv8@vmv-valve.com

CE    EAC CCS

www.vmvvalve.com



Scan More Wonderful